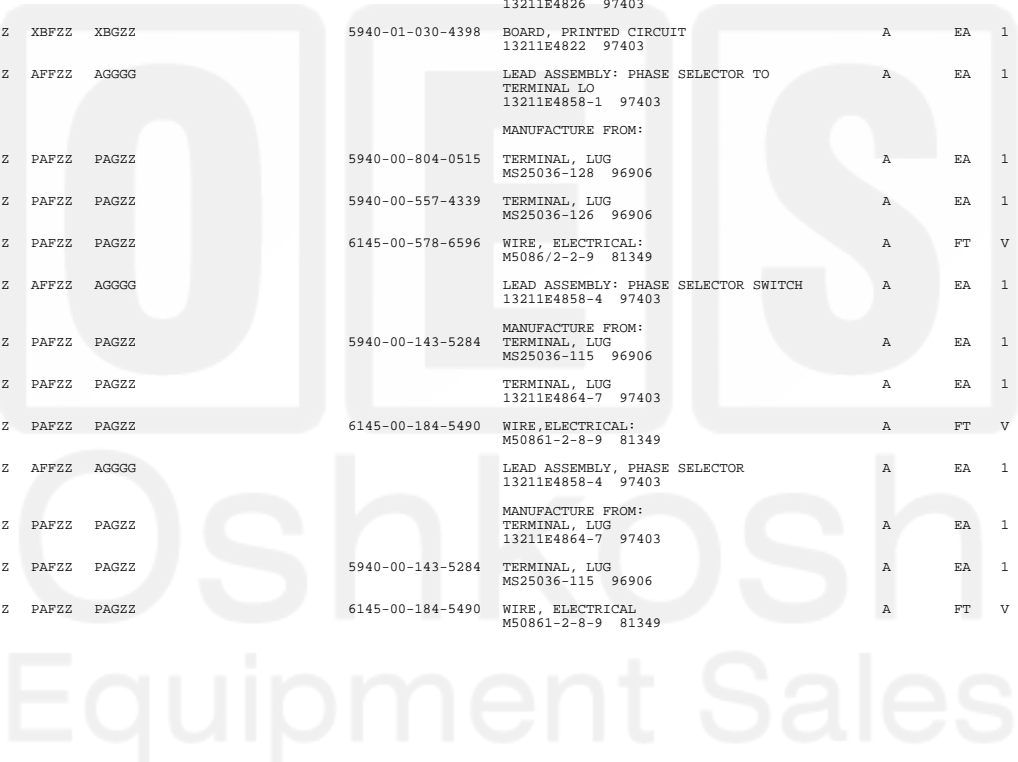


TMS-6115-275-24P
 43772-116115-20
 TO 35C2-3-452-4

(1) ILLUSTRATION A FIG. NO.	(2) SMR CODE A B C D ARMY AIR FORCE NAVY USMC	(3) A B SSI REPL FACTOR	(4) NATIONAL STOCK NUMBER	(5) DESCRIPTION REF NUMBER & MFR CODE	(6) USABLE ON CODE U/M	(7) QTY INC IN UNITS
14	41 PAFZZ PAFZZ PAGZZ		5310-00-809-8544	WASHER, FLAT: REALY PANEL ASSEMBLY MTG MS27183-7 96906	A EA	4
14	42 XBFZZ XBFZZ XBGZZ			SPACER 13215E228 97403	A EA	4
14	43 PAFFF AFFFF XBGZZ		6115-00-245-7693	RELAY AND BRACKET ASSEMBLY 13211E4824 97403	A EA	1
14	44 PAFZZ PAFZZ PAGZZ			NUT, PLAIN, HEXAGON: RELAY SOCKET MTG NAS671B6 80205	A EA	8
14	45 PAFZZ PAFZZ PAGZZ		5310-00-579-0079	WASHER, LOCK: RELAY SOCKET MTG MS35333-37 96906	A EA	8
14	46 PAFZZ PAFZZ PAGZZ		5310-00-983-8483	WASHER, FLAT: RELAY SOCKET MTG MS27183-5 96906	A EA	8
14	47 PAFZZ PAFZZ PAGZZ		5305-00-984-4983	SCREW, MACHINE: RELAY MTG MS35206-226 96906	A EA	8
14	48 PAFZZ PAFZZ PAGZZ		5310-00-045-4007	WASHER, LOCK: RELAY MTG MS35338-41 96906	A EA	8
14	49 PAFZZ PAFZZ PAGZZ		5945-00-435-1833	RELAY, ARMATURE 13211E6944 97403	A EA	4
14	50 PAFZZ XBFZZ XBGZZ		5935-00-206-1400	SOCKET, RELAY 13211E4828 97403	A EA	4
14	51 PAFZZ PAFZZ PAGZZ		5940-00-557-1631	TERMINAL, STUD MS17122-15 96906	A EA	10
14	52 PAFZZ PAFZZ PAGZZ		5961-00-953-5138	SEMICONDUCTOR DEVICE: RELAY 13211E4826 97403	A EA	1
14	53 PAFZZ XBFZZ XBGZZ		5940-01-030-4398	BOARD, PRINTED CIRCUIT 13211E4822 97403	A EA	1
14	54 MFFZZ AFFZZ AGGGG			LEAD ASSEMBLY: PHASE SELECTOR TO TERMINAL LO 13211E4858-1 97403	A EA	1
14	55 PAFZZ PAFZZ PAGZZ		5940-00-804-0515	MANUFACTURE FROM: TERMINAL, LUG MS25036-128 96906	A EA	1
14	56 PAFZZ PAFZZ PAGZZ		5940-00-557-4339	TERMINAL, LUG MS25036-126 96906	A EA	1
14	57 PAFZZ PAFZZ PAGZZ		6145-00-578-6596	WIRE, ELECTRICAL: M5086/2-2-9 81349	A FT	V
14	58 MFFZZ AFFZZ AGGGG			LEAD ASSEMBLY: PHASE SELECTOR SWITCH 13211E4858-4 97403	A EA	1
14	59 PAFZZ PAFZZ PAGZZ		5940-00-143-5284	MANUFACTURE FROM: TERMINAL, LUG MS25036-115 96906	A EA	1
14	60 PAFZZ PAFZZ PAGZZ			TERMINAL, LUG 13211E4864-7 97403	A EA	1
14	61 PAFZZ PAFZZ PAGZZ		6145-00-184-5490	WIRE, ELECTRICAL: M50861-2-8-9 81349	A FT	V
14	62 MFFZZ AFFZZ AGGGG			LEAD ASSEMBLY, PHASE SELECTOR 13211E4858-4 97403	A EA	1
14	63 XBFZZ PAFZZ PAGZZ			MANUFACTURE FROM: TERMINAL, LUG 13211E4864-7 97403	A EA	1
14	64 XBFZZ PAFZZ PAGZZ		5940-00-143-5284	TERMINAL, LUG MS25036-115 96906	A EA	1
14	65 PAFZZ PAFZZ PAGZZ		6145-00-184-5490	WIRE, ELECTRICAL M50861-2-8-9 81349	A FT	V



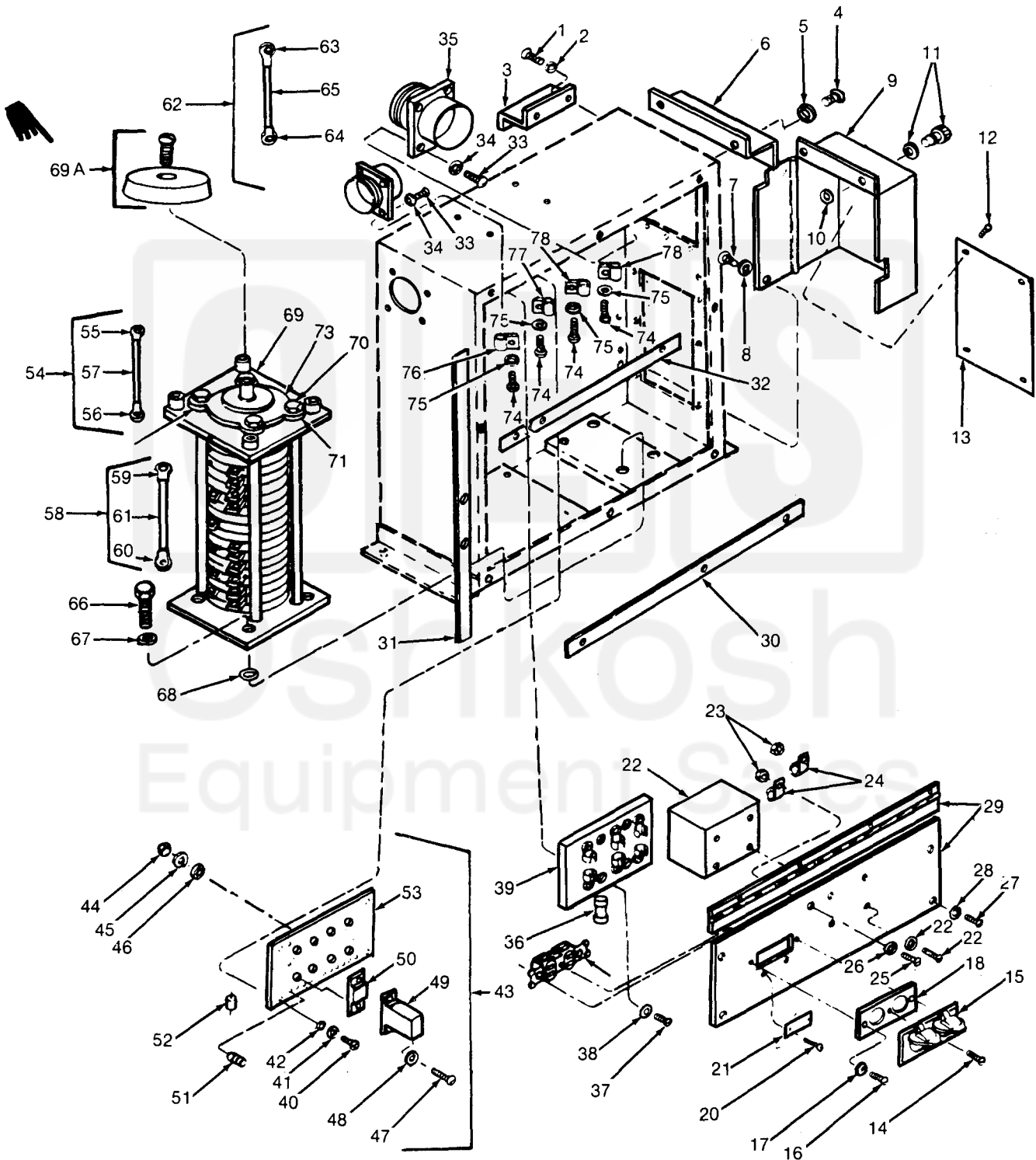


Figure 14. Control Cabinet Components. (Model MEP-018A).